



## PRODUCT SUPPORT.....SERVICE NEWS

<b>BULLETIN NO.:</b> 99-020A	<b>DATE:</b> Sept. 15, 2005 (Rev.)	<b>PAGE:</b> 1 of 2
<b>TITLE:</b> Seat Belt Expiration & Tether	<b>RELEASE:</b> Dealer/Customer	
<b>SECTION:</b> CAB	<b>MODEL:</b> As shown below	

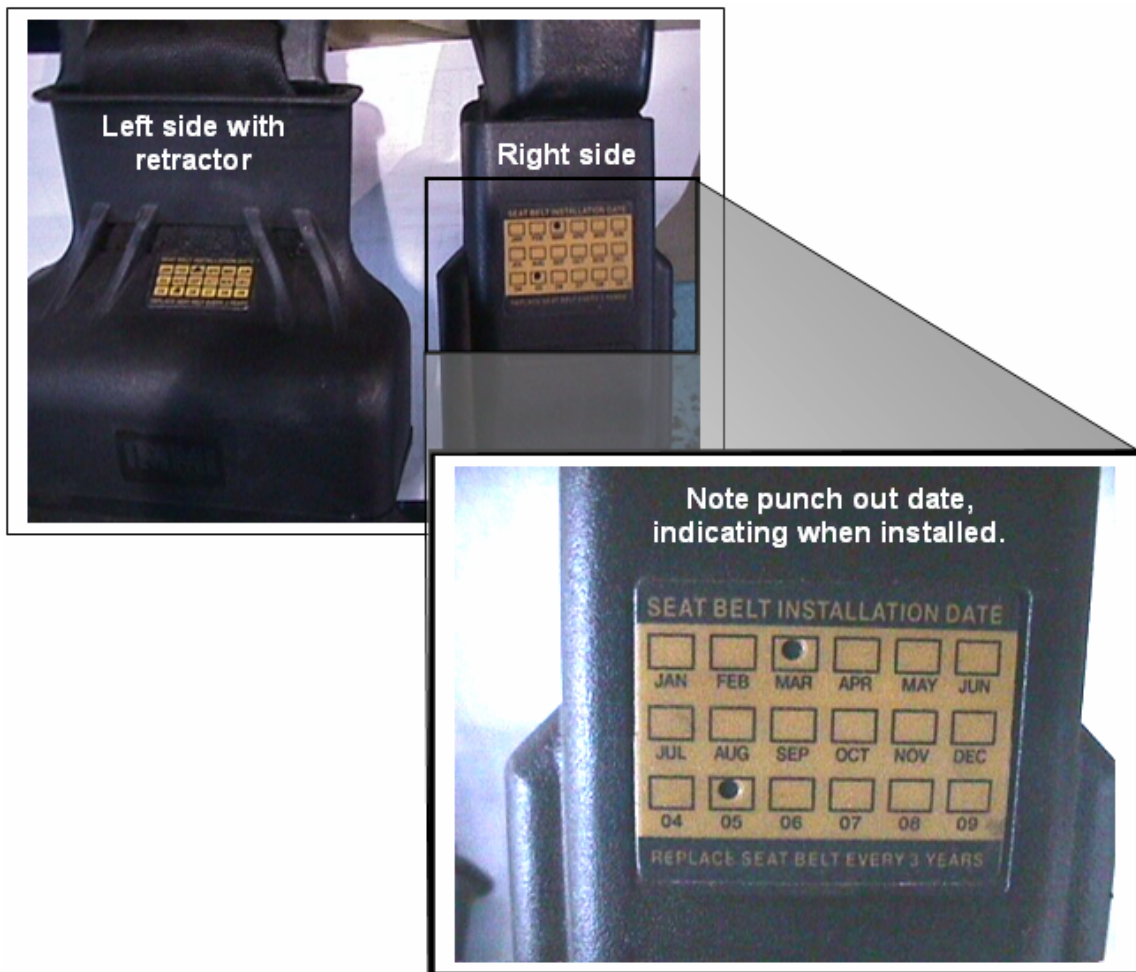
### GENERAL:

Sears Manufacturing seats are equipped with seat belts that have installation dates to show when they were installed on the assembly line for tracking belt assembly expiration. These seats are also equipped with safety tethers that keep seat platform from overextension. These are located under seat platform (pg. 2).

### DETAIL:

The above mentioned seat belt is illustrated below. Replacement seat belts are also equipped with an installation date calendar as shown below.

This is done to ensure that the seat belts are replaced every three years and are maintained as an assembly so as to remain dependable in the time of need.





## PRODUCT SUPPORT.....SERVICE NEWS

BULLETIN NO.: 99-020A	DATE: Sept. 15, 2005 (Rev.)	PAGE: 2 of 2
TITLE: Seat Belt Expiration & Tether		RELEASE: Dealer/Customer
SECTION: CAB		MODEL: As shown below

DETAIL (cont'd):

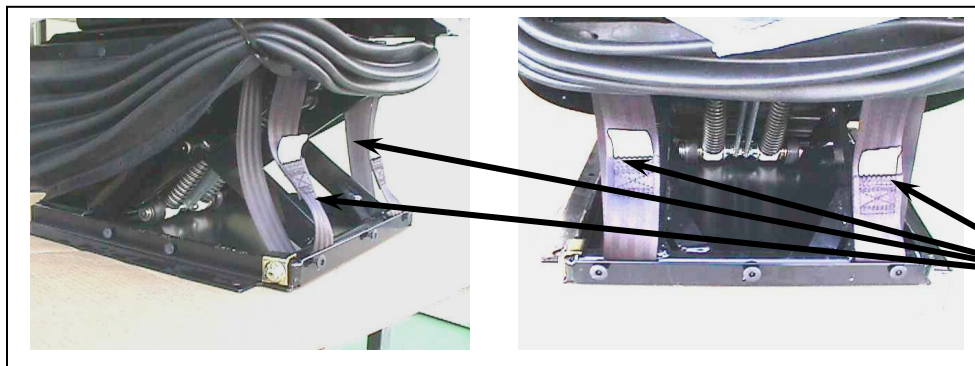
There is no need to install a tether if it is observed that it is not mounted externally on the seat. It is enclosed in the skirt of the seat assembly.

However, inspection of the tether every 500 hours, and replacement every three years should still be part of the standard maintenance procedure.

Starting serial numbers of SEARS SEATS equipped with tethers shown below.

### SEARS MANUFACTURING SEATS

- 50ZIV-2/ZV (50C2-) 0101~
- 60ZIV-2/ZV (60C2-) 0101~
- 65TM-2/TMV (65C3-) 4604~
- 65ZIV-2/ZV (65C3-) 5627,5628,5630~
- 70ZIV-2/ZV (70C3-) 5629,5632,5633,5636~
- 80ZIV-2/ZV (80C3-) 5612~
- 85ZIV-2/ZV (85C3-) 5602,5604~
- 90ZIV-2/ZV (90C3-) 5619~
- 95ZIV-2/ZV (97C3-) 5604,5605,5607~
- 115ZIV-2/ZV (11C3-) 5527~
- 135ZIV-2/ZV (13C1-) 0101~



*Equipped with tethers that protect operator from seat suspension overextension.*